

Broadband CATV, Flux coupled Transformer, 1 - 350 MHz

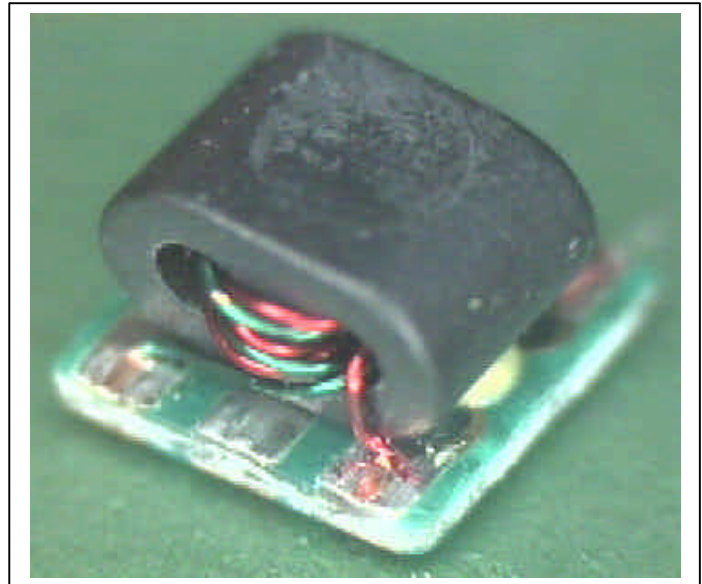
MABACT0035

Features

- 75 ohm
- SMT unit
- 4:1 impedance
- Available on tape & reel
- Excellent temperature stability

Description

M/A-COM's MABACT0035 is a low cost SMT 4:1 RF flux coupled transformer designed for high volume CATV Broadband applications



Electrical Specifications @ 25°C, 75 ohm

Parameter	Test Conditions	Units	Min.	Typ.	Max.
Frequency Range: 1-350 MHz					
Insertion Loss	5 - 100 MHz	dB	—	0.6	1.0
	2 - 300 MHz	dB	—	0.8	2.0
	1 - 350 MHz	dB	—	1.0	3.0
Amplitude Balance	5 - 100 MHz	dB	—	± 0.0	± 0.2
	1 - 350 MHz	dB	—	± 0.1	± 0.5
Phase Balance	5 - 100 MHz	°	—	± 1.0	± 2.0
	1 - 350 MHz	°	—	± 2.0	± 5.0
Input Return Loss	1 - 5 MHz	dB	5	12	—
	5 - 100 MHz	dB	18	25	—
	100 - 350 MHz	dB	12	18	—

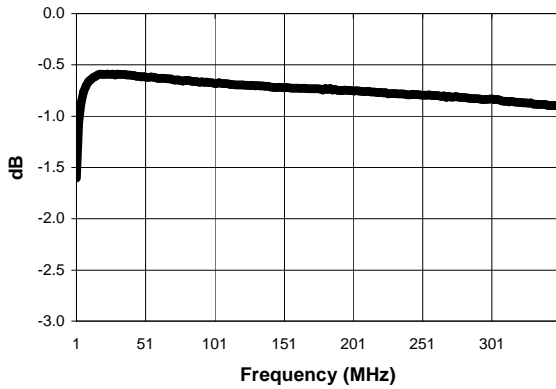
M/A-COM Inc. and its affiliates reserve the right to make changes to the product(s)
Or information contained herein without notice

Visit www.macom.com for additional data sheets and product information

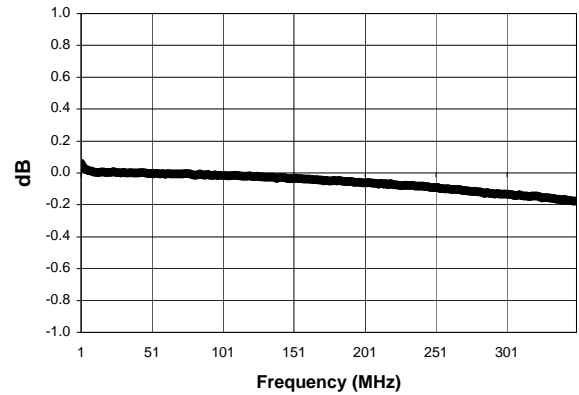
■ North America: Tel. (800) 366-266, Fax (800) 618-8883
 ■ Asia/Pacific: Tel.+ 81-44-844-8296, Fax+81-44-844-8298
 ■ Europe: Tel. +44(1908) 574 200, Fax +44(1908) 574 300

Typical Performance @ +25° C

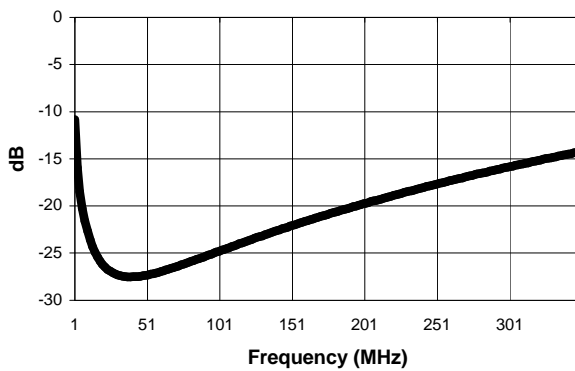
Insertion loss



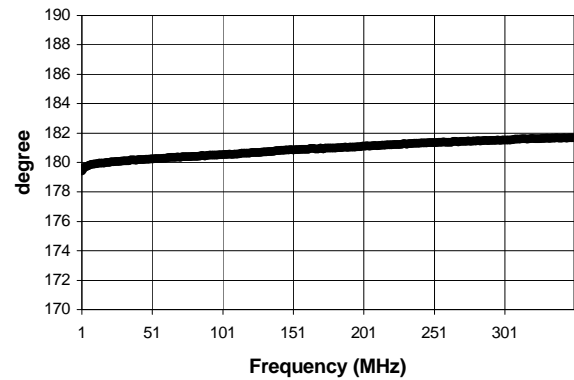
Amplitude balance



Input Return Loss



Phase balance



Absolute Maximum Ratings ¹

	Absolute Maximum
RF Power	250 mW
DC Current	30 mA
Operating/Storage Temperature	-40° C to +85° C

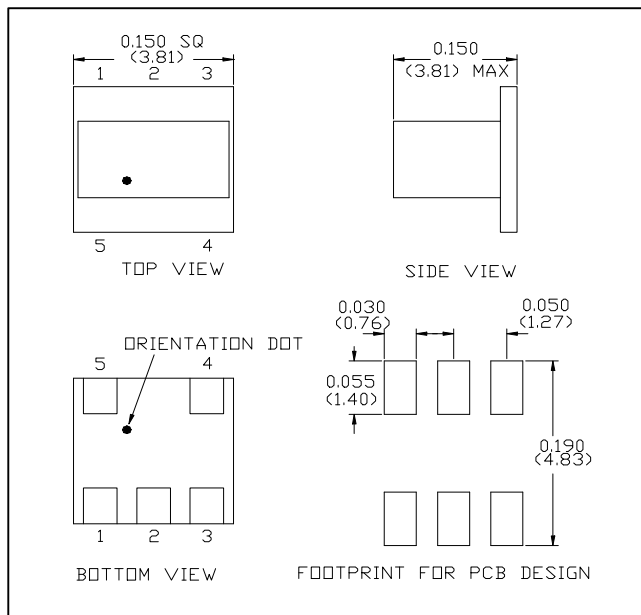
¹ Exceeding one or a combination of these settings may cause permanent damage to the unit

M/A-COM Inc. and its affiliates reserve the right to make changes to the product(s)
 Or information contained herein without notice
 Visit www.macom.com for additional data sheets and product information

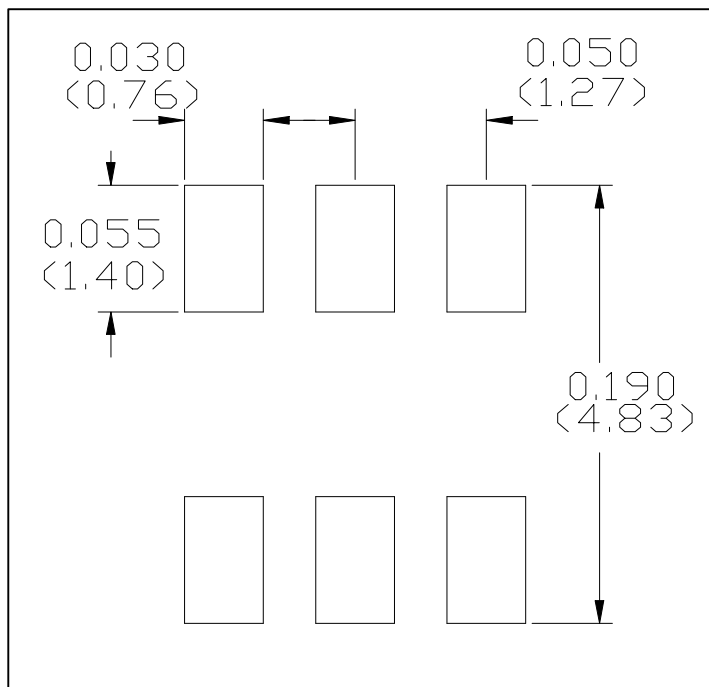
■ North America: Tel. (800) 366-266, Fax (800) 618-8883
 ■ Asia/Pacific: Tel.+ 81-44-844-8296, Fax+81-44-844-8298
 ■ Europe: Tel. +44(1908) 574 200, Fax +44(1908) 574 300



SM-155 Case Style



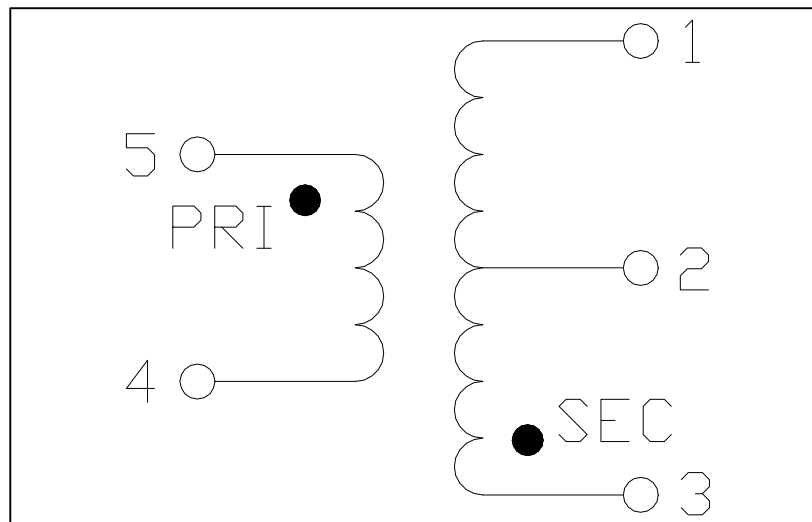
Suggested Footprint



M/A-COM Inc. and its affiliates reserve the right to make changes to the product(s)
 Or information contained herein without notice
 Visit www.macom.com for additional data sheets and product information

■ North America: Tel. (800) 366-266, Fax (800) 618-8883
 ■ Asia/Pacific: Tel.+ 81-44-844-8296, Fax+81-44-844-8298
 ■ Europe: Tel. +44(1908) 574 200, Fax +44(1908) 574 300

Functional Schematic



Pin Configuration

Function	Pin No.
Primary Dot (ground)	5
Primary (input)	4
Secondary Dot (o/p 2)	3
Center Tap	2
Secondary (o/p 1)	1

M/A-COM Inc. and its affiliates reserve the right to make changes to the product(s)
 Or information contained herein without notice
 Visit www.macom.com for additional data sheets and product information

■ North America: Tel. (800) 366-266, Fax (800) 618-8883
 ■ Asia/Pacific: Tel.+ 81-44-844-8296, Fax+81-44-844-8298
 ■ Europe: Tel. +44(1908) 574 200, Fax +44(1908) 574 300